



KALCO CORPORATION

LAWSON HERITAGE *LiL* PEAT

Mini Bale Shaver "LiL Peat"



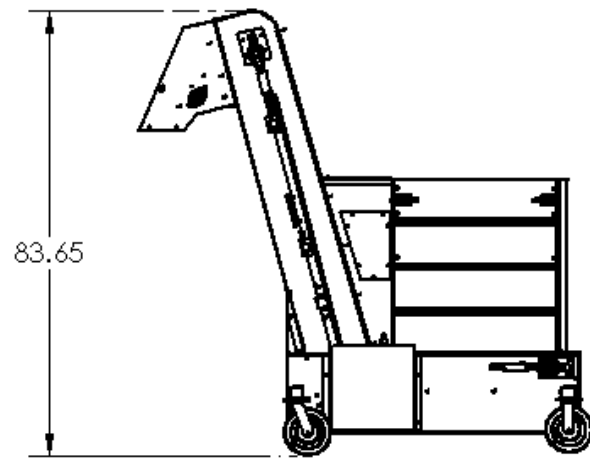
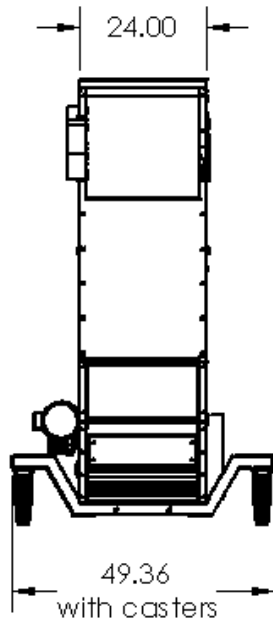
The Lawson Heritage Mini Bale Shaver.

The LiL Peat was designed for the small 3.8 cu.ft. peat bales. This simple machine has the ability to do many operations with plug and play attachments. LiL Peat can process up to 44 bales or 11 yards an hour, with its compact design and optional caster assembly, it is mobile and operates on 110v power. The standard machine holds up to 3 bales. LiL Peat has many options, including auto load conveyors, bale present sensor, water bar, mixing head, foot pedal control for small potter and fill conveyor attachments, Fertilize dispenser and much more! If you're looking for a compact, versatile bale shaver then look no more, LiL Peat is up for the task.

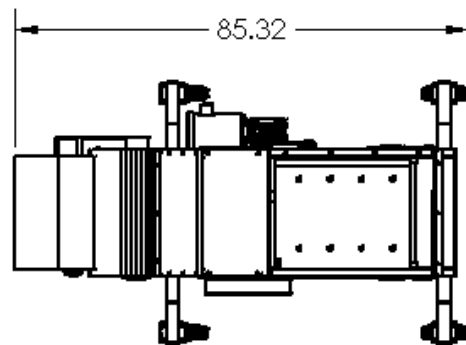
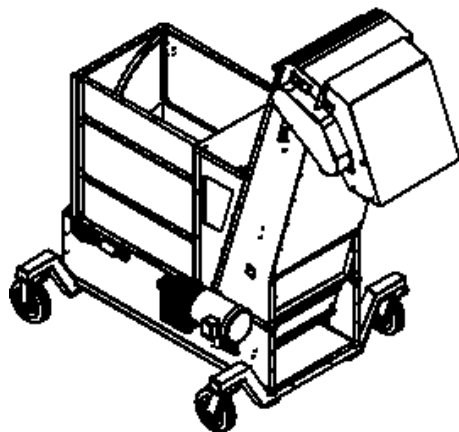


FEATURES

- 110v Input / 20 Amp
- Pre-Mixing Chamber
- 3 Bale Capacity
- Bale Present Sensor
- Auto and Manual Controls
- Shave 44 Bales or 11 Yard Per Hour
- Additive Mixing Chamber
- Plug and Play Attachments
- Versatile Fill Capability
- Gate Work Table
- Foot Pedal Ready
- Auto Call Ready
- Water Solenoid Ready
- Auto Load Ready
- Dispenser Ready
- 1 Year Warranty



Weight: 1175 lbs



LIL PEAT OPTIONS

- 8" Phenolic Caster Assembly
- 8" Rubber Caster Assembly
- Up to 8 Bale Auto Loader
- Water Bar
- Remixing Head
- Auto Call System
- Foot Pedal Control
- Potting Table Attachment
- Bag Filling Attachment
- Tray Filling Attachment

Electrical

110v / 20 amp

Kalco Corporation
422 Old Nashville Hwy
McMinnville, Tn. 37110
Phone: 931-815-5252
Website: www.kalcoCorp.com