



KALCO

KALCO CORPORATION

A Kenneth Avery Lawson Company

QUAD CAT

QC235W WHEEL MACHINE

NEW! Kalco Corp has designed a new mini skid steer that is a major power house in a small package. The Quad Cat has a 24 hp Kohler Engine with a 2 pump system that delivers 3000 PSI to the drive and the attachment that are connected to it. This compact machine will lift up to 650 to 850 lbs depending on wheel or track machine, but has a tip capacity of up to 2250 lbs. With its easy grip finger controls, 2 speed drive system, heavy duty frame, 2 auxiliary output locations for cylinder and motor attachments, dual 3.5 gallon fuel tanks and sleek design, this machine will work for you at top performance. The quad cat also has the standard attachment mount hook up to use your existing attachments with out worry of buying new!



QC235T TRACK MACHINE

The Quad Cat mini skid steer has the optional rubber track system. This machine has the ability to attach this track system to existing drive. For example, if you purchase the wheeled version of this machine and in the future decide you want the track system, you simply remove the wheeled components and install the track system, no need to purchase a separate machine. This separates our machine from all others.

CONTROLS

Easy Controls allow the 2 open levers to be operated with your thumbs for optimal steering, while the left lever operates the tilt and the right lever operates the boom lift. The far right lever operates any attachment that may have a hydraulic cylinder attached. Also on the 3 button controls to the top left operate the 2 speed ground control, the hydraulic motor auxiliary output with forward/reverse control and the night light switch along with the hour meter, fuel gauge and battery volt meter. All Controls are within easy reach & vision, this setup also gives clear sight to the mounting plate for easy hookup.



FEATURES

- 23.5 hp Kohler Engine
- Easy Grip Finger Controls
- Hydraulic Cylinder Aux. Output
- Hydraulic Motor Aux. Output
- Dual Pump System
- MALS: Mechanical Auto Level System
- 3000 PSI
- Lift: 650lbs(Wheel Machine), Tip: 2000lbs
- Lift: 850lbs(Track Machine), Tip: 2200lbs
- Gauges: Fuel, Voltage and Hour
- LED Work Lights
- Wheel or Track

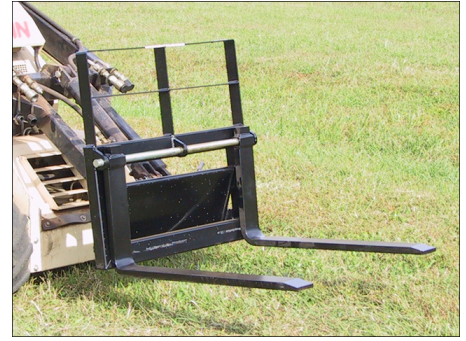
JUST A FEW OF MANY MORE ATTACHMENTS



GRAPPLE FORK



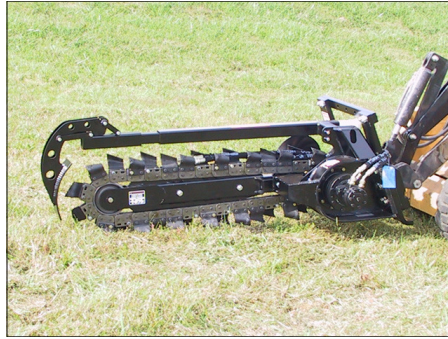
BUCKET



PALLET FORK



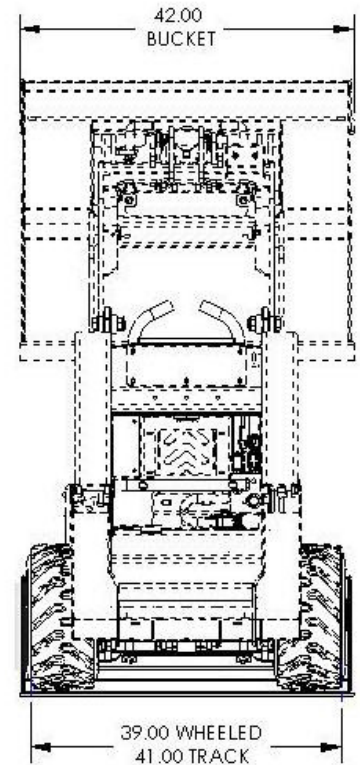
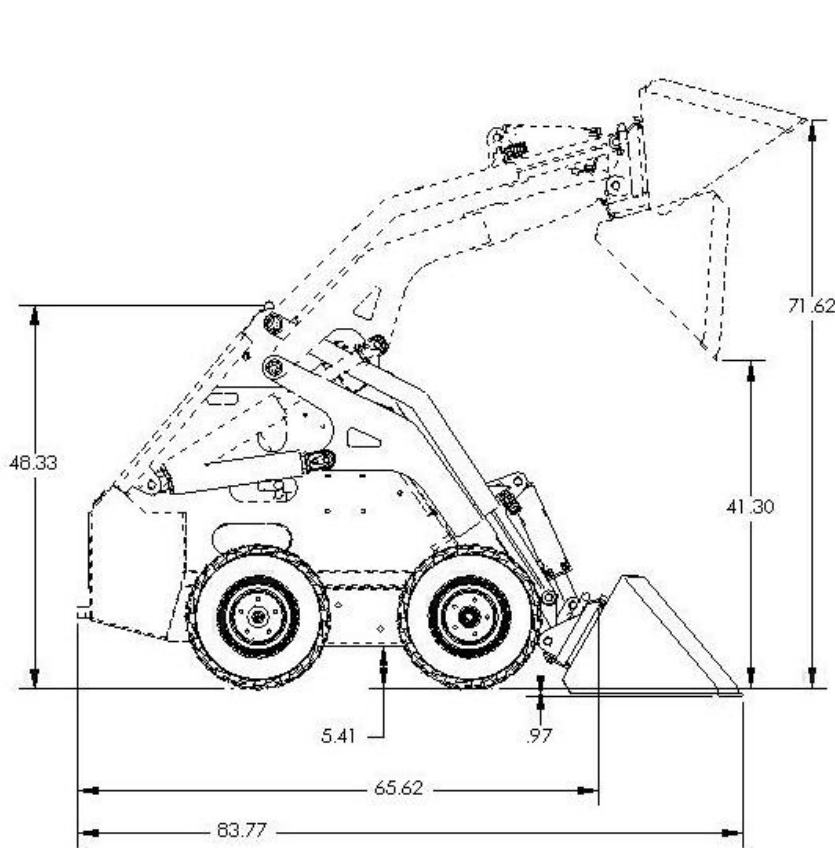
AUGER DRIVE



TRENCHER



TILLER



Options
 Rubber Track System
 Hydraulic Oil Cooler

Kalco Corporation
 422 Old Nashville Hwy
 McMinnville, Tn. 37110
 Phone: 931-815-5252
 Website: www.kalcorp.com